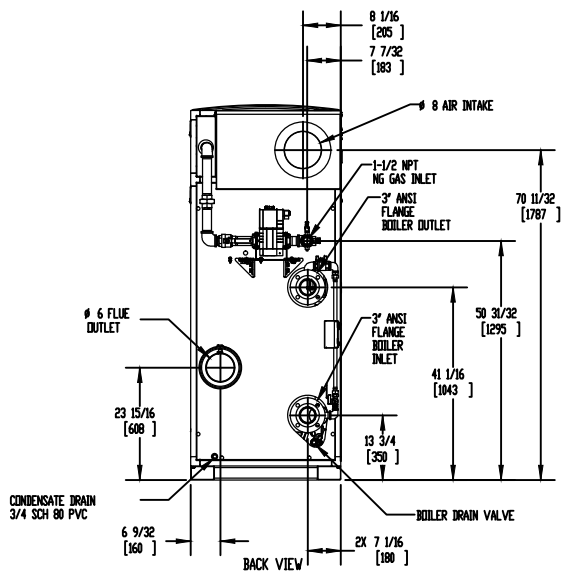
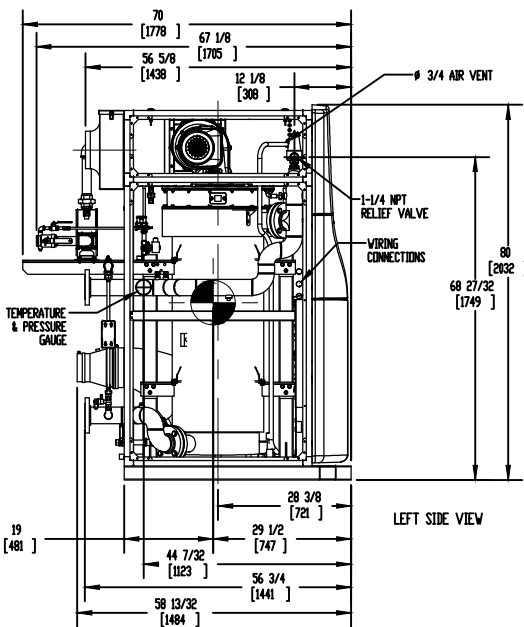


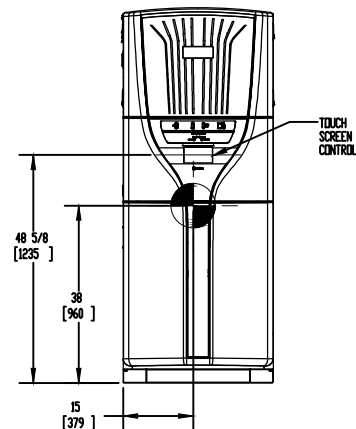
TOP VIEW



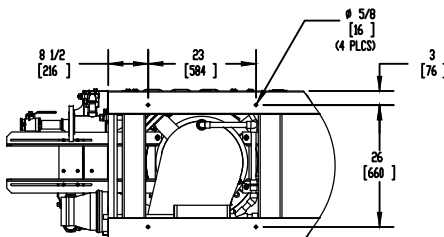
BACK VIEW



LEFT SIDE VIEW



FRONT VIEW



BOTTOM VIEW

- NOTES:  
1. SYMBOL INDICATES CENTER OF GRAVITY.  
2. DIMENSIONS ARE NOMINAL AND SUBJECT TO MANUFACTURING VARIATION AND SHOULD NOT BE USED FOR "ROUGHING IN".  
3. ALL DIMENSIONS ARE INCHES (mm).